

GRAND LODGE YOUTH ACTIVITIES COMMITTEE

Elks SOCCER SHOOT[®]

**P
R
O
G
R
A
M**



**M
A
N
U
A
L**



**Benevolent and Protective
Order of Elks**

UNITED STATES OF AMERICA
A Fraternal Organization

INDEX



TITLE	PAGE
Acknowledgements	2
Foreword	3
Liability Insurance	4
Program Schedule	5
General Contest Rules	6-7
Five-Goal Contest Rules	10-11
Officials/Judges – Five-Goal Contest	12
Elks Soccer Goal Attachment	13-14
Grid Goal Contest Rules	16-17
Officials/Judges – Grid Goal Contest	18
Grid Goal Specifications and Parts	19-23
Rope Grid Goal	24
Option	25-26
Contestant Score Sheet (5-Goal Contest)	Appendix A
Contestant Score Sheet (Grid Goal Contest)	Appendix B
Contestant Registration	Appendix C
Competition Form – Boys/Girls	Appendix D
Contest Event Report	Appendix E



— ACKNOWLEDGEMENTS —

The Grand Lodge Youth Activities Committee would like to express our sincere gratitude to those visionary Elks and Soccer enthusiasts from Connecticut, New Jersey, Arizona, Georgia, Wisconsin and elsewhere, who foresaw in this activity a positive and enjoyable way for the Order to benefit young Americans.

FOREWORD



S**OCCER** – The world’s favorite sport now is the United States’ fastest growing children’s participatory activity. As early as the 1980’s, Lodges of the B.P.O. Elks began to recognize this phenomenon and support it with league sponsorships as well as developing different skill contests. The Grand Lodge Youth Activities Committee discussed the sport of soccer on many occasions as two of these contests grew to prominent status.

In October 1997, a Grand Lodge Youth Activities Subcommittee met in Chicago to discuss the various programs and to develop a Grand Lodge Program. After a concentrated session, where many viewpoints were expressed and many arguments presented, the Committee agreed upon a two-stage contest that best represented the skill levels of four age groups: 7 and under (U-8), 8-9(U-10), 10-11(U-12), and 12-13(U-14).

The “Five Goal Contest” with its succession of smaller target goals lets younger participants (U-8 & U-10) build their confidence as they move down the line. It matches both physical and skill abilities to the challenge they present.

The “Grid Goal Contest” uses the penalty kick distance to challenge the older participants (U-12 & U-14) to lift the ball from the field while aiming it for score, thus developing advanced skills.

The Contests are designed to be run either indoors or outdoors depending on location, weather or climate. It is suggested that close cooperation with the local soccer associations will insure growth in the participation in this Youth Activity by involving the community with our program.

Finally, remember that the running of all the Youth Activities Programs has common goals of keeping children occupied with positive, character-building role models and activities, providing alternatives to drug use, and simply having fun.

Remember:

“SOCCER – IT’S A KICK!”

ELKS SOCCER SHOOT®

“IT’S A KICK”

LIABILITY INSURANCE

What should the Lodge do if the owner of the property where an Elks Soccer Shoot is being held requires proof of Liability Insurance? Call the administrators of the Elks Insurance Programs, **AON RISK SERVICES – ELKS TEAM** at **1-800-421-3557**.

Aon will issue a Certificate of Liability Insurance that will satisfy the property owner’s requirements.

When you contact Aon, they will first ask for your Lodge number. The purpose is to connect you with the correct Aon team member.

Aon Risk Services – Elks Team requires the following information:

- ✓ Date of the Soccer Shoot
- ✓ Location of the Soccer Shoot
- ✓ Name of the Property Owner
- ✓ Name of the Certificate Holder, i.e., School District, City, etc.
- ✓ Does the Certificate Holder need to be named as Additional Insured?

The Benevolent and Protective Order of Elks General Liability Policy provides General Liability Insurance for Elks activities on or away from owned or leased premises. This policy will respond to Bodily Injury and/or Property Damage, subject to the policy terms and conditions.

The Master Liability Insurance Program includes as named insured the Grand Lodge, State Associations (with the exception of major projects) and all Subordinate Lodges of the Order.

The process of issuing a Liability Insurance Certificate is simple, however, Aon would appreciate your calling at least **ten (10) days prior to the event** to ensure sufficient mailing time.

ELKS SOCCER SHOOT®

“IT’S A KICK”

PROGRAM SCHEDULE

- Lodge Shoot – Prior to District Shoot
- District Shoot – By end of September
- State Shoot – By end of October

SUGGESTIONS:

Lawn Mower and Rake:

It is recommended that the Soccer Shoot® area be mowed and raked prior to the Contest. Generally, the Soccer Shoot® is held on the side of a field and the grounds care may not be as smooth as the playing field.

Foul Line Marking:

The foul line is best marked with a product similar to the spray paint that is used to mark utility lines in the grass or black top, i.e., Power Paint Cartridge. Fluorescent colors work best. If such a product is unavailable, fluorescent tape such as that used in construction also works.

ADVERTISING:

Press Releases:

A large part of the Soccer Shoot® Program is to permit the kids to have fun. As such, it is necessary to let the community know that the Elks Soccer Shoot® exists. Press Releases and Purchased Advertising will permit your Lodge not only to hold a successful Soccer Shoot® but to share your news with the community.

Certificates of Participation:

It is imperative that we recognize all Shooters with a Certificate of Participation. First, Second and Third Place Certificates are very much appreciated by the victorious contestants.

ELKS SOCCER SHOOT®

“IT’S A KICK”

GENERAL CONTEST RULES

1. There shall be four (4) age groups:
 - Age 7 and Under [U-8]
 - Age 8 and 9 [U-10]
 - Age 10 and 11 [U-12]
 - Age 12 and 13 [U-14]
2. Age is determined by the age of the contestants as of August 1st, the year the contest is held.
3. The local Lodge Director must verify age by birth or baptismal certificate or by passport to ensure that the contestant competes in the proper age group. This will eliminate any disappointment that might arise as a result of a technical error.
4. A contestant may enter only one local Lodge contest in any given year.
5. The Contest Director will set the date, time and place for the contest, and notify all contestants of the same. Contestants must be present and ready to compete at the designated time.
6. Local Lodge contests may be structured in cooperation with local soccer programs so that participants can compete at predetermined times. The time for the local Lodge “finals” if needed, will be posted and those invited to compete in the “finals” must be present and ready to compete at the designated time.
7. The contest can be held outdoors on a field or indoors in a gym or other suitable area.
8. No equipment is necessary other than a jersey or shirt, shorts or pants, socks and appropriate footwear (indoor or outdoor). Shin guards and protective gear are not necessary, but may be worn if desired.
9. FIFA-approved number four (4) balls will be used for the [U-8], [U-10] and [U-12] Groups. Number five (5) balls will be used for the [U-14] Group.

ELKS SOCCER SHOOT®

“IT’S A KICK”

10. No article of clothing that displays words, slogans or images that are in poor taste for a youth athletic activity shall be permitted. The Director’s decision in enforcing this rule shall be final.
11. Any contestants conducting themselves in an inappropriate or unsportsmanlike manner or failing to obey the instructions given by the officials will be disqualified.
12. Contestants who are waiting their turn must not interfere with the contestant who is shooting in any way. All other persons should stay at least ten (10) yards behind the contestant who is shooting. At indoor contests or some outdoor contests where ten (10) yards is not possible, a distance determined by the Director will establish a clearly-identified waiting area. No one should be allowed to distract the contestants in any way during the contest. The Director may stop the contest and clear the area if anything interferes with play.
13. The Director shall have the authority to restrict the number of photographers around the immediate contest area and to restrict where they may position themselves. Flash photography is not permitted at any time while the contest is in progress. A staged photo opportunity may be orchestrated by the Director wherein flash photos will be permitted.
14. ALL DECISIONS BY THE DIRECTOR AND CONTEST OFFICIALS ARE FINAL AND NO SPECTATOR OR OTHER PERSON WILL BE PERMITTED TO ARGUE OR INFLUENCE AN OFFICIAL’S DECISION IN ANY WAY.

FIVE

GOAL

CONTEST

ELKS SOCCER SHOOT®

“IT’S A KICK”

FIVE GOAL CONTEST RULES

Ages 7 & Under [U-8]

and

Ages 8 & 9 [U-10]

1. Contestants may only shoot for score once unless involved in a tiebreaker.
2. No contestant may shoot before or after the designated time. Disqualification will result.
3. The order of shooting will be determined by a drawing after all are properly registered. Only Lodge Shoots may have the option of customizing the shooting order according to local conditions.
4. The goals and scores are as follows:
 - 48" goal – 1 point per successful goal
 - 40" goal – 2 points per successful goal
 - 34" goal – 3 points per successful goal
 - 26" goal – 4 points per successful goal
 - 17" goal – 5 points per successful goal
5. A goal is scored when the whole of the ball has passed over the entire goal line, between the goal posts and below the upper crossbar. The decision of the Judges is final.
6. The soccer ball will be a FIFA-approved, Number Four (4) ball, inflated to 8.5 to 10 lbs. pressure at the start of the contest.
7. Ideally, three balls should be used and all three kicks should be taken before any balls are returned to the shooter. This will save time and shorten the waiting time before the next contestant’s attempt.

ELKS SOCCER SHOOT®

“IT’S A KICK”

8. There shall be one Goal Judge, one Line Judge, and one Scoring Judge per contestant shooting.
9. There shall also be three Tabulators, who are located in a secure area. The Tabulators shall calculate the official score.
10. Contestants will start at the 48" goal and will advance to each successive smaller goal. When a contestant reaches the third goal, the next contestant may begin.
11. The Line Judge will place the ball on a line fifteen (15) feet from the goal line for 7 and Under (U-8) contestants. The 8 and 9 (U-10) contestants will kick from a line eighteen (18) feet from the goal line. The contestant may adjust the ball along the line by using the foot only. The Line Judge will confirm that the ball is still legally placed. The ball shall be deemed in play as soon as it is kicked forward and cannot be kicked a second time.
12. Each contestant will be permitted one (1) warm-up kick at each goal. They will then kick three (3) goals for score at each of the five different sized goals in sequence from 48" down to 17" goal. The contest officials will notify each contestant when scoring begins. A total of forty-five (45) points is possible.
13. Ties will be broken by taking five (5) additional shots in the same contestant order as the regular contest. The 17" goal will be used. If still tied, this procedure will be repeated until award winners are decided.
14. The 1st place winners at each level of contest are eligible to advance to the next level. If the 1st place winner in any age group is unable to attend, the next highest scorer shall be eligible.

ELKS SOCCER SHOOT®

“IT’S A KICK”

OFFICIALS/JUDGES — FIVE GOAL CONTEST

Volunteers will be needed for the following:

Goal Judges — TWO:

The Goal Judges will indicate a goal by raising their hands above their head after the ball completely crosses the goal line or indicate a missed goal by pointing at the ground.

Line Judge — ONE:

The Line Judge will determine that the ball was kicked from a location completely behind the foul line. The Line Judge will notify each competitor prior to their last shot in each set that this is the last shot.

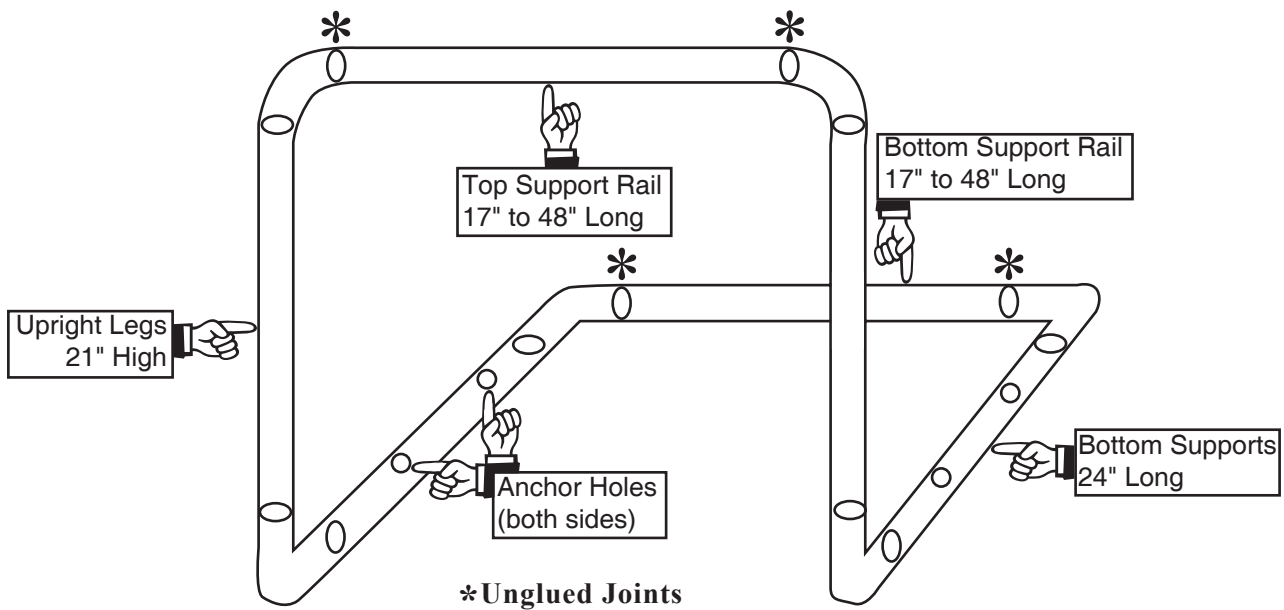
Scoring Judges — ONE to THREE:

The Scoring Judge(s) will maintain the Contestant Registration Form and Score Sheet for all contestants that they are responsible for. The Scoring Judge(s) will move from goal to goal with the contestant. The Scoring Judge(s) will mark goal attempts with either an X for a successful goal or a dash for an unsuccessful goal, only after the Line Judge has indicated if the attempt was successful or unsuccessful. The Scoring Judge(s) should not tabulate the competitors’ scores. Upon completion of an individual’s competition, the score shall be turned over the Tabulators.

Tabulators — TWO or THREE:

The competition Director will appoint two or three volunteers to tabulate all Soccer Shoot® Registration and Score Sheets. They will make sure each form is filled out correctly and then tabulate the scores to find out the winners. They will post the winners in each division for boys and girls. The Tabulators will also produce for the Soccer Shoot® Director a list of the winners for each division. No scores will be given out to competitors until the competition is over.

GROUND VIEW OF 5-GOAL SOCCER SHOOT® GOAL



Each goal should be constructed using 1½-inch (ID) Heavy Duty Schedule 40-PVC Tubing and Elbows. This size provides adequate strength and allows for flexibility. You will need 65 feet of the PVC pipe for 5 goals.

All corners use 90-degree Elbows.

Drill holes in the bottom supports large enough to accommodate the spikes so the goal can be firmly anchored to prevent movement or overturning.

The pieces will fit together quite snugly. However, you may wish to glue a few of the connections for added stability.* Leaving some of the couplings unglued allows for size changes and for easy take down, transport and storage.

FIELD AND GOAL SPECIFICATIONS

Field Layout:

A goal line should be laid down and each goal should be placed on the goal line. Each goal should be a minimum of 4 feet apart. A forty-foot-square area is the minimum area that you can work in.

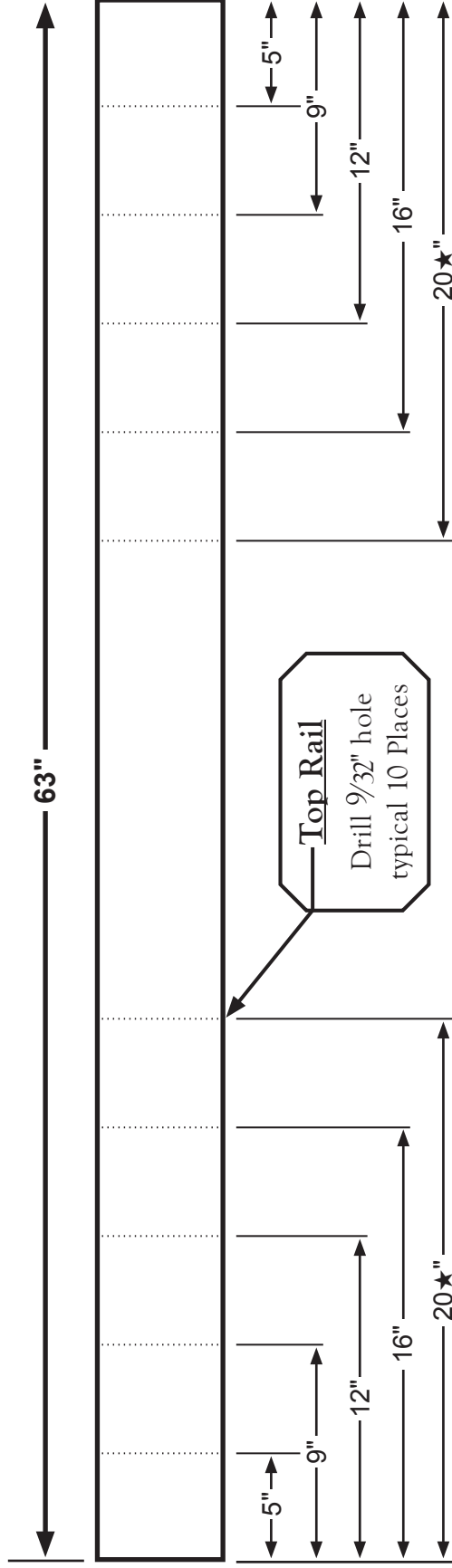
Free-Standing Goal Parts List:

In order to expedite the contest, it is recommended that a minimum set of five goals be used for competitions.

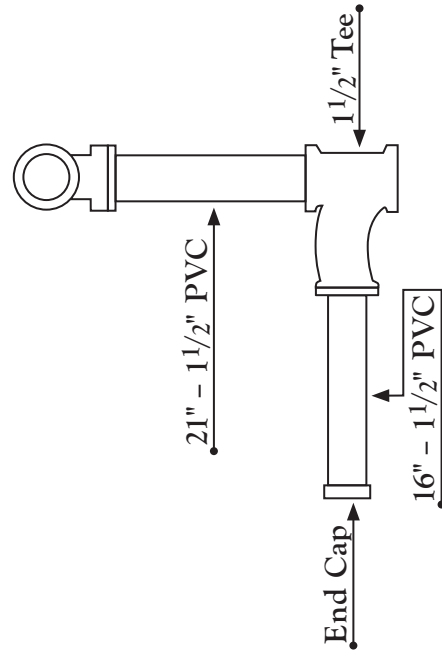
- 2 each – 48" top & bottom rail.
- 2 each – 40" top & bottom rail.
- 2 each – 34" top & bottom rail.
- 2 each – 26" top & bottom rail.
- 2 each – 17" top & bottom rail.
- 10 each – 21" upright legs.
- 10 each – 24" bottom supports.
- 30 each – 90-degree elbows.
- 20 each – anchors (spikes/tent pegs).

(See also Alternate Goal Equipment Attachment for standard Soccer Goal on following page.)

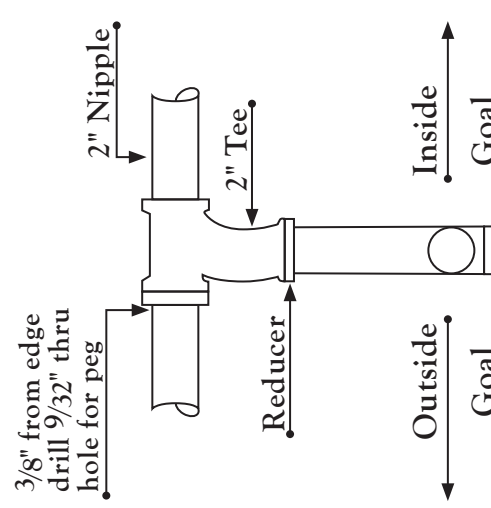
Alternate method of fabricating a Small Goal



Goal openings between uprights will be 48", 40", 34", 26" and 17".



Upright — Side View



Upright — Rear View [left side]

COMPONENTS

- Top Rail**
 - a. [1] 63" - 1 1/2" PVC
 - b. [2] 1 1/2" PVC End Caps
 - c. [2] 5" - 1" X 4" Pegs ("L" shape)
- Uprights**
 - a. [2] 21" - 1 1/2" PVC
 - b. [2] 16" - 1 1/2" PVC
 - c. [2] 2" PVC Tees
 - d. [2] 2" X 1 1/2" male reducers
 - e. [2] 1 1/2" PVC Tees
 - f. [2] 1 1/2" End Caps
 - g. [4] 3 1/2" - 2" PVC Nipples
 - h. Plumbers Glue

GRID

GOAL

CONTEST

ELKS SOCCER SHOOT®

“IT’S A KICK”

GRID GOAL CONTEST RULES

Ages 10 & 11 [U-12]

and

Ages 12 & 13 [U-14]

1. Contestants may only shoot for score once unless involved in a tiebreaker.
2. No contestant may shoot before or after the designated time. Disqualification will result.
3. The order of shooting will be determined by a drawing after all are properly registered. Lodge Shoots only may have the option to customize the shooting order according to local conditions.
4. The goals and scores are as follows:

Center Bottom	1 point per successful goal
End Bottoms	2 points per successful goal
Center Top	3 points per successful goal
End Tops	5 points per successful goal
5. A goal is scored when the whole of the ball has passed thru the entire grid opening. If the ball hits a grid post and enters the net, the kick is good. If the ball hits a grid post or bottom barrier and bounces back from the grid opening, it is a missed ball. The decision of the Judges is final.
6. The soccer ball will be a FIFA-approved, Number Five (5) ball, inflated to 8.5 to 10 lbs. pressure at the start of the contest for the U-14 contest. The soccer ball will be FIFA-approved, Number Four (4) ball, inflated to 8.5 to 10 lbs. pressure at the start of the contest for the U-12 contest.
7. There shall be two Goal Judges, one Line Judge and one to three Scoring Judges.

ELKS SOCCER SHOOT®

“IT’S A KICK”

8. When kicking indoors, a 1/4 inch O-ring to steady the ball may be used in the Grid Goal Contest.
9. The Line Judge will place the ball on a spot thirty-six (36) feet from the goal line. The ball shall be deemed in play as soon as it is kicked forward and cannot be kicked a second time.
10. Each contestant will be permitted three (3) warm-up kicks at the grid. They will then kick fifteen (15) goals for score. The contest officials will notify each contestant when scoring begins. A maximum total of seventy-five (75) points is possible.
11. Ties will be broken by taking five (5) additional shots in the same order as the regular contest. If still tied, this procedure will be repeated until award winners are decided.
12. It is suggested that fifteen (15) balls be on hand to run the contest smoothly. This allows for the contestants to kick at their own rhythm without interference from returning balls.
13. The 1st place winners in each level of contest are eligible to advance to the next level. If the 1st place winner is unable to attend, the next highest scorer shall be eligible.

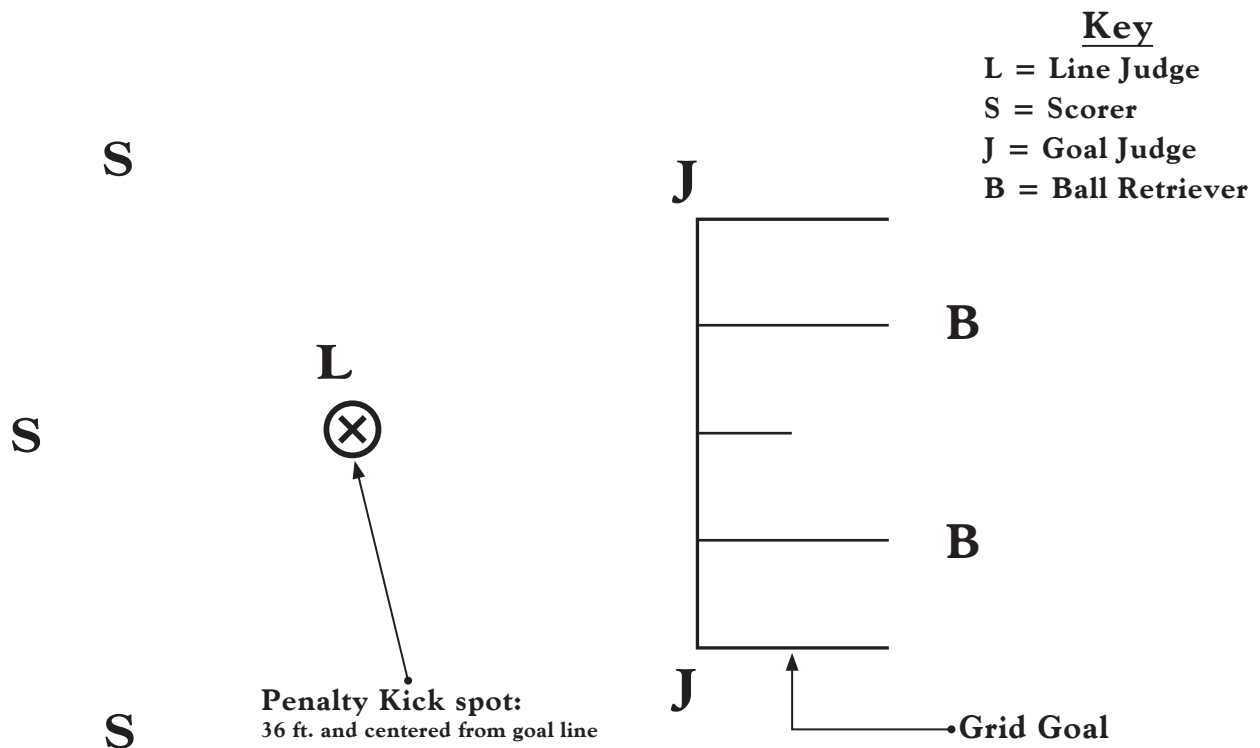
ELKS SOCCER SHOOT®

“IT’S A KICK”

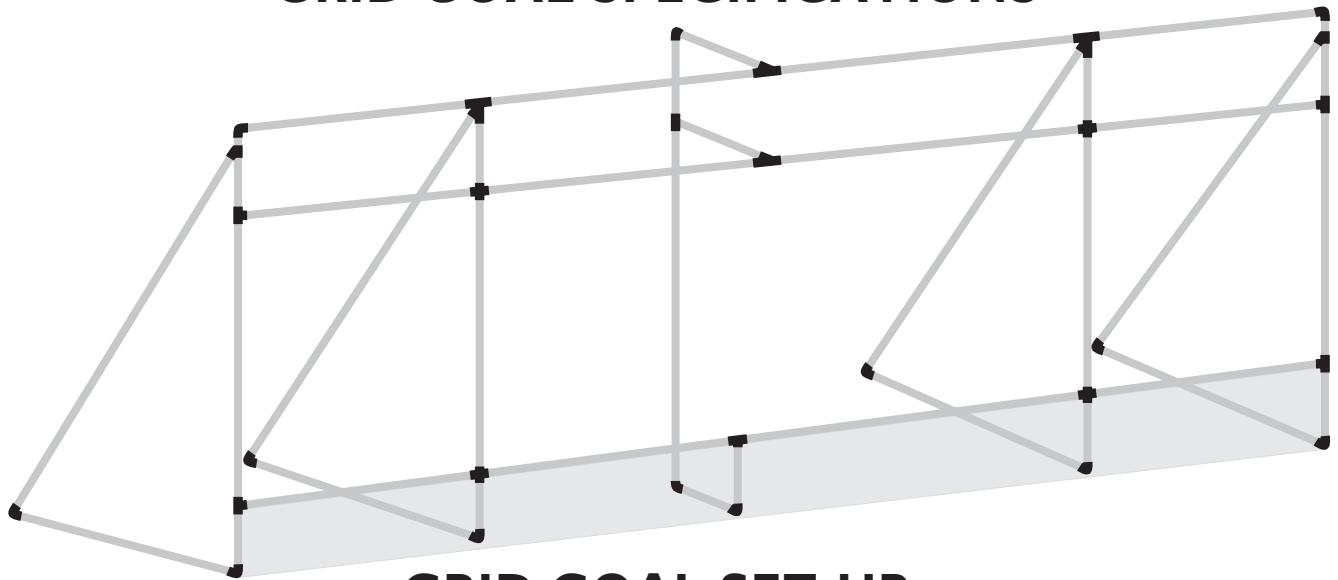
OFFICIALS/JUDGES — GRID GOAL CONTEST

Volunteers will be needed for the following:

- **Ball Retrievers — TWO:** The Ball Retrievers will control all balls that miss the goal and return all balls to the Line Judge after the contestant has completed the round of kicks.
- **Goal Judges — TWO:** The Goal Judges will take up positions at opposite sides of the Grid Goal and immediately after the kick has been completed, advise the Scoring Judge(s) of the Point Value earned for that kick. If necessary, the Goal Judges may confer before announcing the point value so as to reach a unanimous decision in the event of a kick whose path is not clearly seen by one of the Judges.
- **Line Judge — ONE:** The Line Judge will determine that the ball was kicked from the penalty point. If the ball rolls off the penalty point before the kicker advances toward the ball, the Line Judge will re-set the ball on the penalty point. If the kicker kicks the ball, it is a counted kick.
- **Scoring Judges — ONE to THREE:** The Scoring Judge(s) will maintain the Contestant Registration and Score Sheets for all contestants that they are responsible for. The Scoring Judge(s) will mark goal attempts with the goal value for each kick taken. The Scoring Judge(s) will tabulate the competitor’s individual shots. They will ensure that each form is filled out correctly and attest to the shot scores. They may tabulate the scores to establish the winners, however, separate Tabulator(s) are recommended.



GRID GOAL SPECIFICATIONS



GRID GOAL SET-UP

Parts Chart

Grid Goal – with Board

Item	Qty.	Description /Length
Piping		<i>Use 1 1/2 Bristol Pie PVC 330 PSI</i>
A	2	4 feet – 8 7/8 inches
B	2	6 feet – 9 1/4 inches
C	2	4 feet – 8 3/4 inches
D	2	6 feet – 9 inches
E	2	1 foot – 6 1/8 inches
F	2	1 foot – 6 1/4 inches
G	4	5 feet – 8 7/8 inches
H	4	7 feet – 4 1/2 inches
I	4	10 feet – 3 inches
J	1	1 foot – 8 5/8 inches
K	1	1 foot – 8 3/4 inches painted black
L	1	1 foot – 8 7/8 inches painted black
M	1	5 feet – 8 7/8 inches painted black
N	1	1 foot – 8 1/2 inches painted black
O	1	1 foot – 3 7/8 inches
P	8	2 inches
R		

Option – without Board Differences Only

Qty.	Description /Length
4	
4	
4	4 feet – 1/2 inch
5	16 inches

Fittings

Use 1 1/2 inch type fittings

1	2	4-Way “T”
2	11	3-Way “T”
3	8	90-degree elbow
4	4	45-degree elbow
5	4	“Y” branches

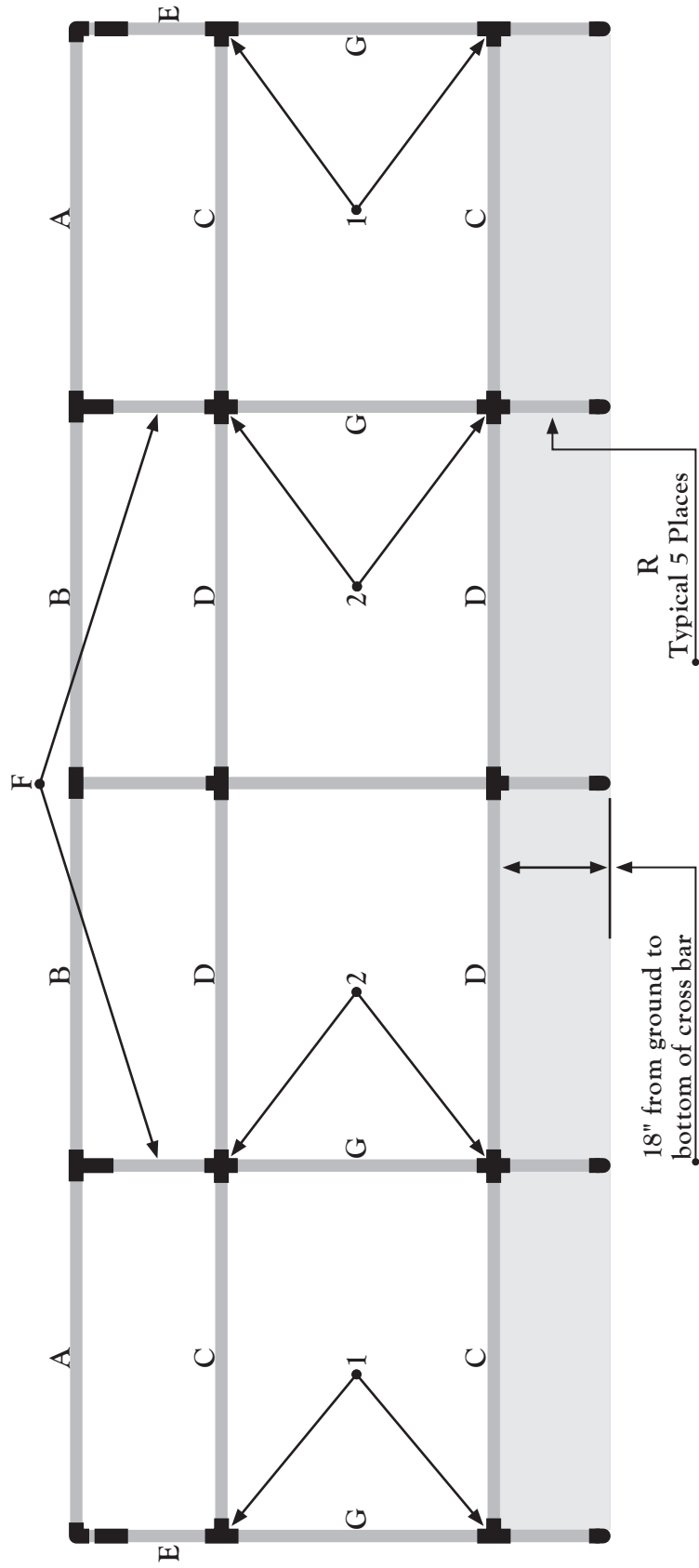
4	
14	

Accessories

For goal with board only

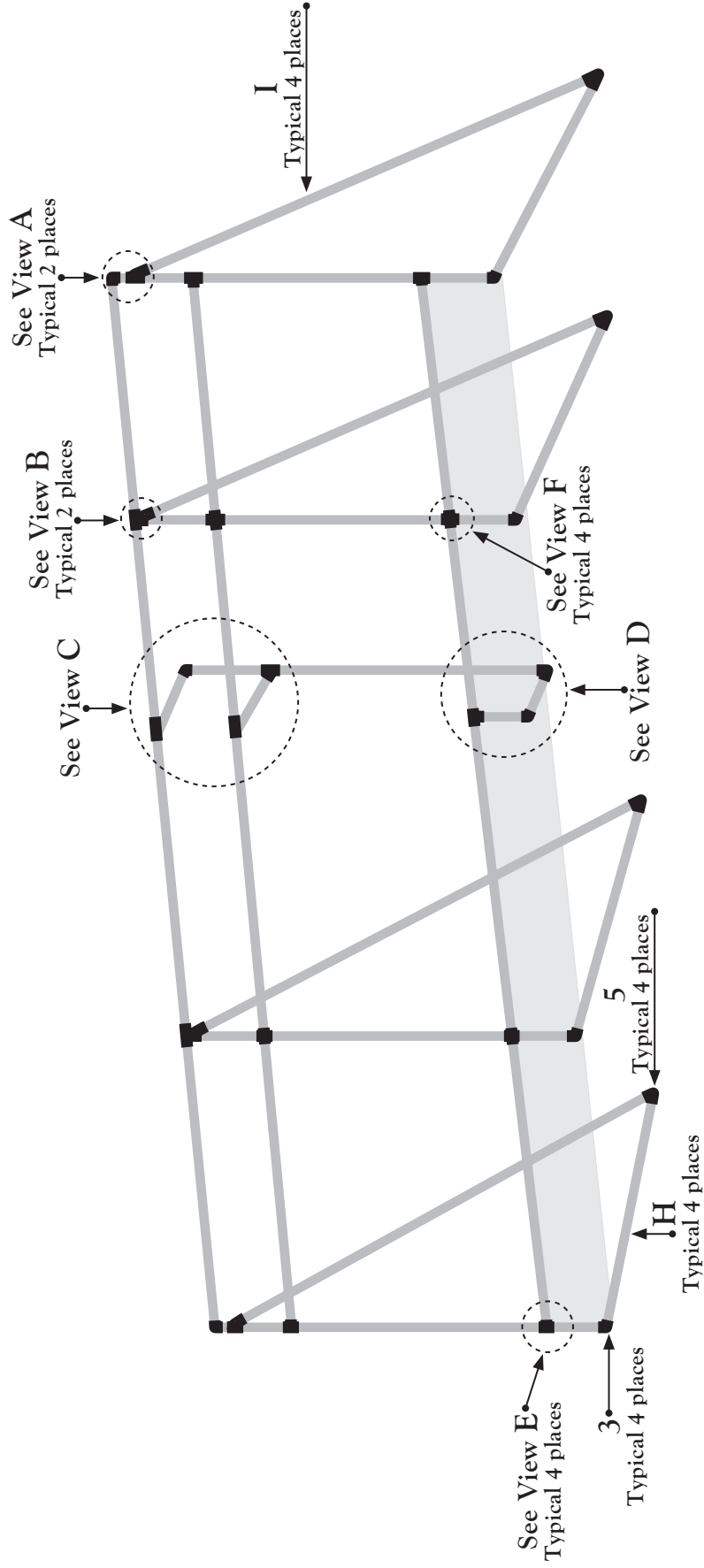
6	3	8 feet × 18 inches 3/8 inch plywood panel
7	3	12 inches × 18 inches 3/8 inch plywood panel
8	A/R	2 inches carriage bolts and applicable wing nuts
9	A/R	1 1/2 inches one hole pipe strap

GRID GOAL SPECIFICATIONS

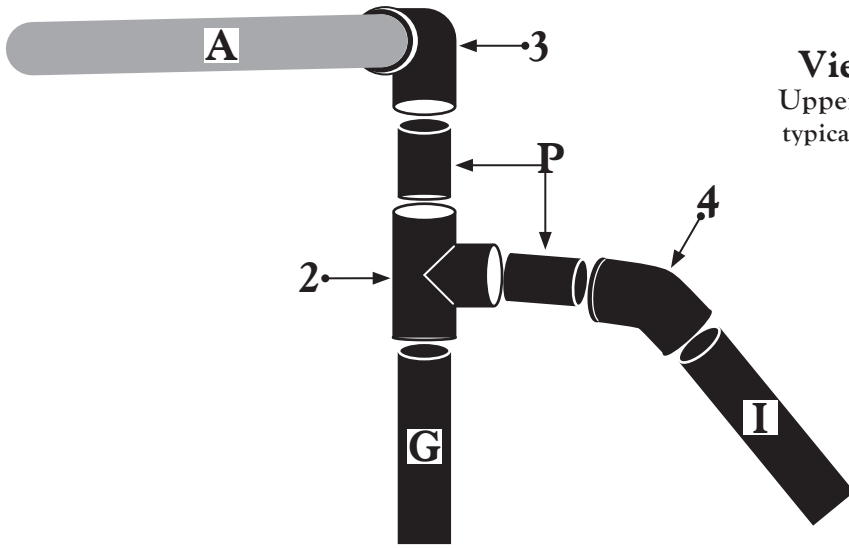


View Facing Goal

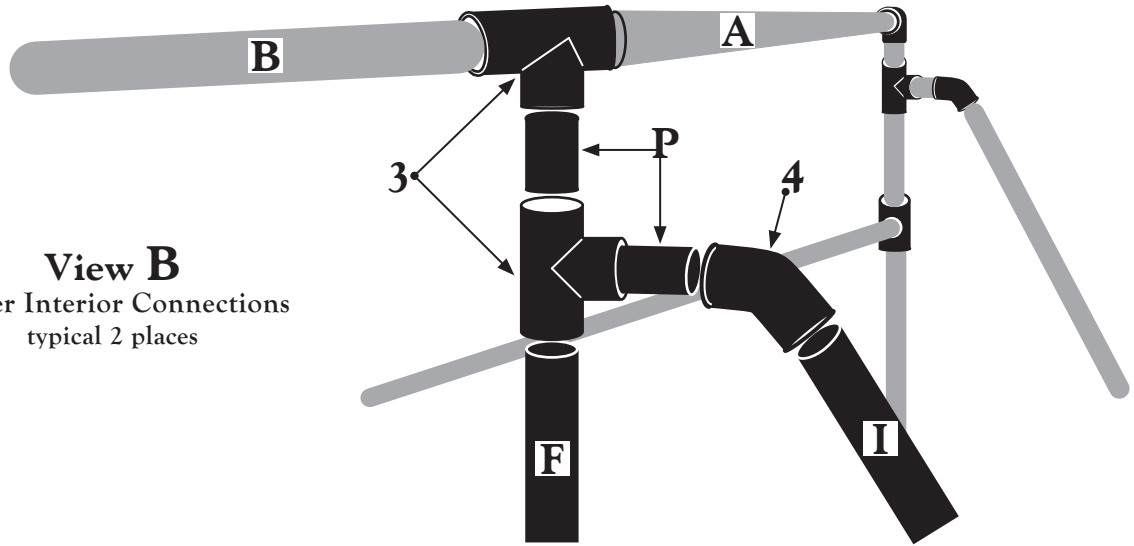
GRID GOAL SPECIFICATIONS



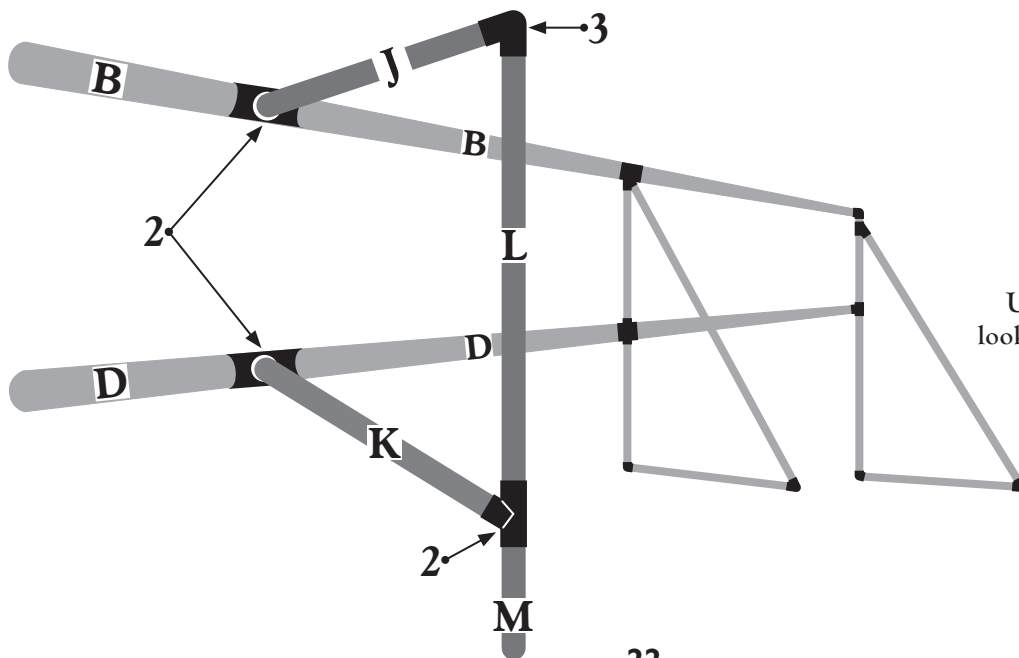
View looking from Back of Goal



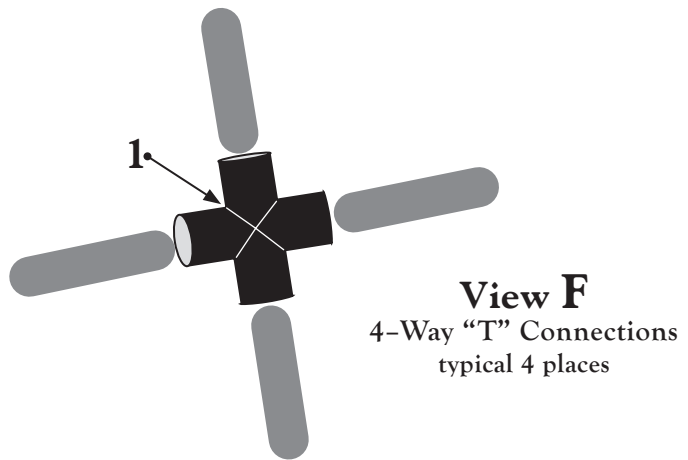
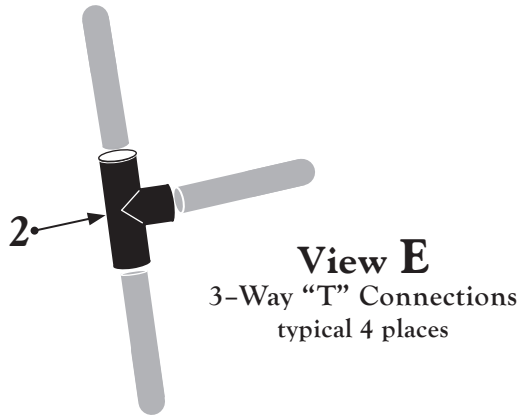
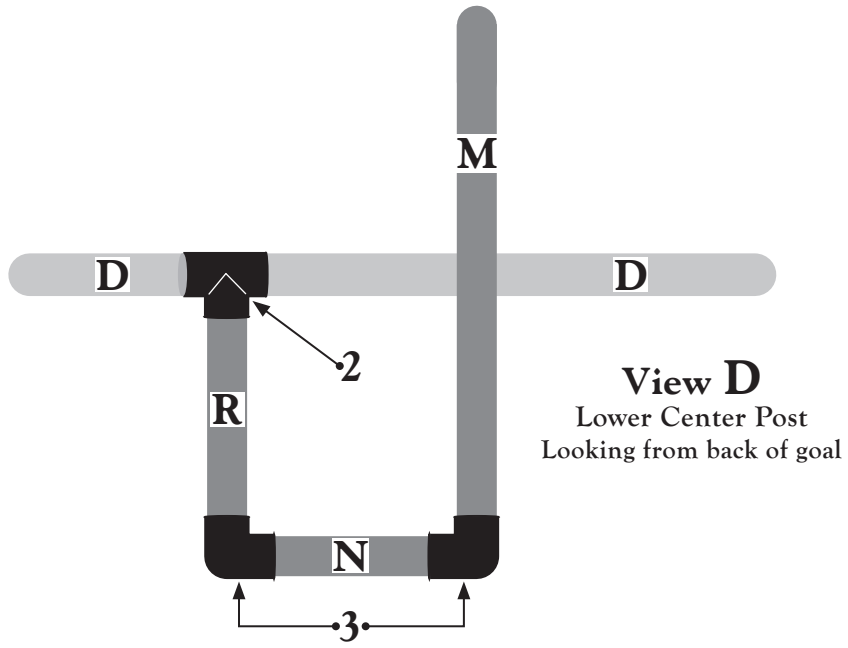
View A
Upper Corner
typical 2 places



View B
Upper Interior Connections
typical 2 places



View C
Upper Center Post
looking from back of goal



ELKS SOCCER SHOOT®

“IT’S A KICK”

ROPE GRID GOAL

An economical suggestion has been made and accepted for the Elks Soccer Shoot® competition. A grid goal made from rope will be allowed at the Lodge and District levels. Below are the dimensions along with a parts list.

Parts purchased are as follows:

75 feet – Yellow $\frac{3}{8}$ inch rope

6 – Hooks with Eyelet attached

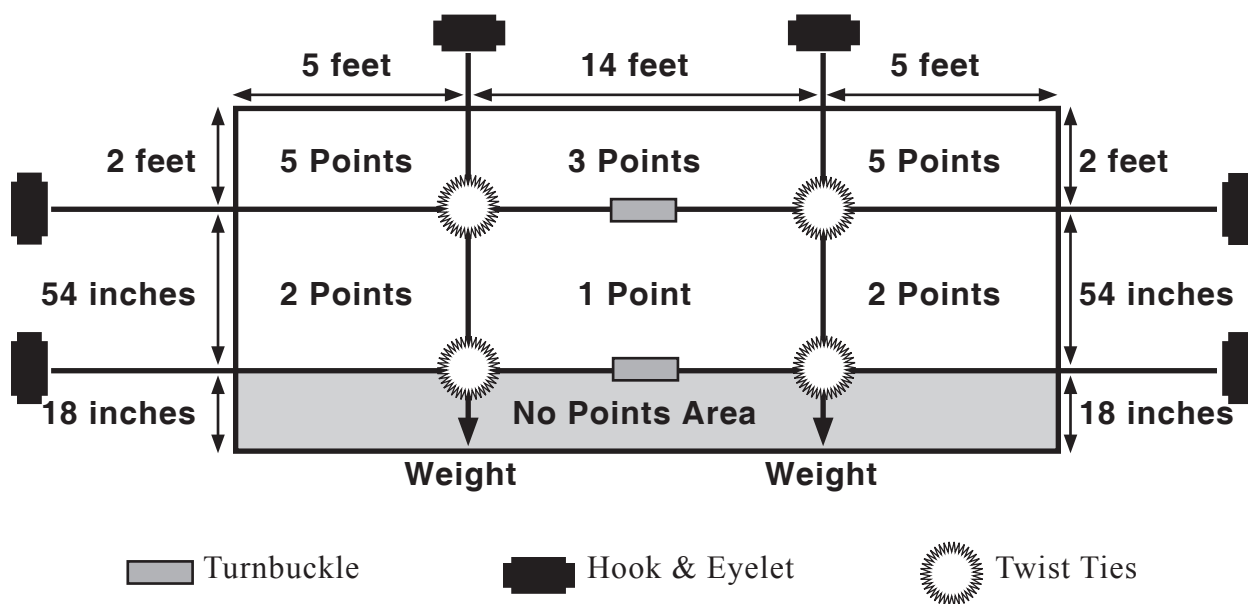
2 – 10- or 12-inch Turnbuckles for the horizontal sections.

2 – Weights (for the bottom of the parallel ropes, will help keep the rope straight).

Total Estimated Cost = \$40.00

Wrap the hooks around the goal pole at the sides and tighten turnbuckles. Swing the vertical rope over the top goal bar and hook. Attach weights at lower ends of vertical ropes.

A piece of plastic, paneling, weather fencing or other barrier should be secured across the bottom section.



ELKS SOCCER SHOOT®

“IT’S A KICK”

OPTION

Some states have opted to remove the boards across the bottom of the grid goal and replace this with a cross bar that is 18 inches above the ground. This will extend across the entire span. This area would now be worth 1 point.

Several states made these arguments to support their position. Soccer coaches complained that the board is unfair because in a regulation game, a goal can be made while rolling it in on the ground. It was also found that too many participants were walking away from the contest, disappointed because many times they could not lift the ball off the ground. They would not return the following year to try the contest.

It is felt by the Grand Lodge Youth Activities Committee that the main objective of the Elks Soccer Shoot® Program is to promote self-esteem, provide activities that are character building and keep children active and away from drugs. ***Kids Are Our Purpose!*** If removing the board at the bottom of the goal increases participation, ***Do It!***

The Elks State Soccer Chairman should regulate whether or not to use the bottom board. It should be a statewide contest rule. As a contestant advances from the Lodge, District and State contests, the rules need to be uniform.

The goals and scores are as follows:

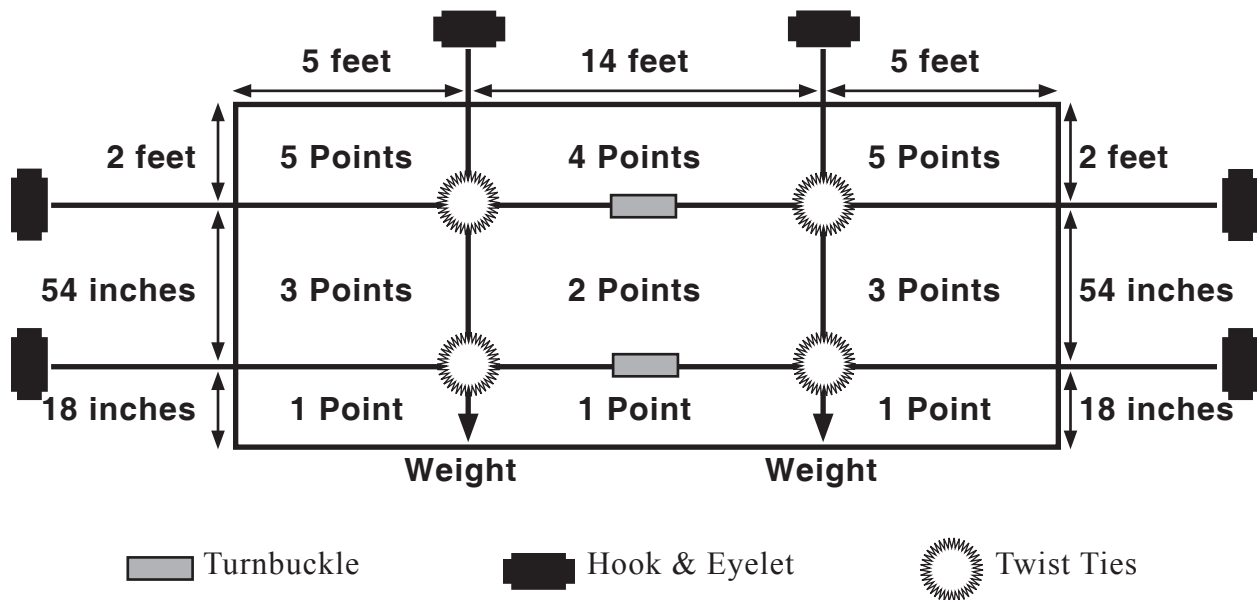
- a. Across Bottom 1 point per successful shot
- b. Middle Center 2 points per successful shot
- c. Middle Ends 3 points per successful shot
- d. Top Center 4 points per successful shot
- e. Top Ends 5 points per successful shot

Goal		
5	4	5
3	2	3
1	1	1

ROPE GRID GOAL SPECIFICATIONS

A grid goal made from rope is an economical arrangement that has been accepted for the Elks Soccer Shoot® Lodge and District level competitions.

<i>Obtain the following parts:</i>	
Quantity	Description
75 feet	Yellow 3/8 inch rope
2	10- or 12- inch Turnbuckles for the horizontal sections
6	Hooks with Eyelets attached
2	Weights (for the bottom of the parallel ropes, will help keep the rope straight)
Total Estimated Cost: \$40.00	
Wrap the hooks around the goal pole at the sides and tighten turnbuckles. Swing the vertical rope over the top goal bar and hook. Attach weights at lower ends of vertical ropes.	



APPENDIX



Elks Soccer Shoot®

Contestant Score Sheet

5-Goal Contest: U-8 & U-10



Event Location:	Date:
-----------------	-------

(Circle One in Each Category)

BOYS		GIRLS	
Lodge	District	State	

<u>Division</u>	
7 & Under	8-9

Name:
Telephone No.:

<u>Age as of August 1</u>

CONTESTANT: DO NOT WRITE BELOW THIS LINE!! (For Official Use Only!)

Goal No. 1 – 48-inch width (× for each shot made) (– for each shot missed)		
SHOT 1)	SHOT 2)	SHOT 3)

Goal No. 2 – 40-inch width (× for each shot made) (– for each shot missed)		
SHOT 1)	SHOT 2)	SHOT 3)

Goal No. 3 – 34-inch width (× for each shot made) (– for each shot missed)		
SHOT 1)	SHOT 2)	SHOT 3)

Goal No. 4 – 26-inch width (× for each shot made) (– for each shot missed)		
SHOT 1)	SHOT 2)	SHOT 3)

Goal No. 5 – 17-inch width (× for each shot made) (– for each shot missed)		
SHOT 1)	SHOT 2)	SHOT 3)

Total Goals	× 1 =	Goal #1 Score
-------------	-------	---------------

Total Goals	× 2 =	Goal #2 Score
-------------	-------	---------------

Total Goals	× 3 =	Goal #3 Score
-------------	-------	---------------

Total Goals	× 4 =	Goal #4 Score
-------------	-------	---------------

Total Goals	× 5 =	Goal #5 Score
-------------	-------	---------------

SCORE

--

Tie Breaker Section

(17-inch Goal Only) (× for each shot made) (– for each shot missed)

1	2	3	4	5	Total Goals

1	2	3	4	5	Total Goals

1	2	3	4	5	Total Goals

1	2	3	4	5	Total Goals

1	2	3	4	5	Total Goals

1	2	3	4	5	Total Goals



Elks Soccer Shoot®

Contestant Score Sheet

Grid Goal Contest: U-12 & U-14



Event Location:	Date:
-----------------	-------

(Circle One in Each Category)

<u>BOYS</u>		<u>GIRLS</u>
Lodge	District	State

<u>Division</u>
10 & 11 [U-12]
12 & 13 [U-14]

Name:
Telephone No.:

<u>Age as of August 1</u>

CONTESTANT: DO NOT WRITE BELOW THIS LINE!! (For Official Use Only!)

<i>Indicate Actual Number of Points Scored for Each Shot</i>		
SHOT 1) _____	SHOT 6) _____	SHOT 11) _____
SHOT 2) _____	SHOT 7) _____	SHOT 12) _____
SHOT 3) _____	SHOT 8) _____	SHOT 13) _____
SHOT 4) _____	SHOT 9) _____	SHOT 14) _____
SHOT 5) _____	SHOT 10) _____	SHOT 15) _____

SCORE

Tie Breaker Section

(Indicate Actual Points Scored for Each Shot)

1	2	3	4	5	Total

1	2	3	4	5	Total

1	2	3	4	5	Total

1	2	3	4	5	Total

1	2	3	4	5	Total

1	2	3	4	5	Total

REGISTRATION APPLICATION
B.P.O. ELKS
"SOCCER SHOOT"®
GOAL SHOOTING CONTEST

For boys and girls up to age 13

APPLICANT CAN PARTICIPATE IN ONE LODGE CONTEST ONLY
(PLEASE FILL OUT IN DETAIL)

Boy
 Girl

DATE OF BIRTH _____ (Month) _____ (Day) _____ (Year)

Please circle Correct Age you will be on

AUGUST 1, 200 _____ (Fill in appropriate year)

4 5 6 7 8 9 10 11 12 13

APPLICANT'S NAME: _____ (Please print or type)

ADDRESS: _____

CITY: _____ STATE: _____ ZIP: _____

() _____ () _____ () _____ Mom Work _____ Dad Work _____

NAME OF APPLICANTS _____ PARENTS _____ Mother _____

or _____ GUARDIANS _____ Father _____

ELKS LODGE _____ NO. _____ DATE _____

REQUEST AND CONDITIONS FOR REGISTRATION

The undersigned, parent/guardian of the above named applicant, hereby requests applicant's registration in the B.P.O. Elks "Soccer Shoot"® GOAL SHOOTING CONTEST and represents the information set forth in this Application is correct. In consideration of such registration and the right of the applicant to participate in the competition, the undersigned does hereby acknowledge and agree that such participation will be solely at the risk of the applicant and the undersigned and without liability to the Benevolent and Protective Order of Elks of the United States of America, its State Associations, its Subordinate Lodges and the officers and members of them (hereinafter collectively referred to as "BPOE"). The undersigned, for himself, his personal representatives and successors, does hereby release and forever discharge BPOE from any and all claims, demands, liabilities, obligations, damages, costs, expenses, loss of service, actions and causes of action including each and every right of payment for damages said undersigned may now or hereafter have against BPOE arising out of any act or occurrence incident to the applicant's said participation and/or the engagement of the undersigned in connection therewith. The undersigned hereby consents and authorizes BPOE to use and reproduce applicant's name and/or likeness and to circulate the same for any and all purposes reasonably related to the conduct and promotion of the said competition, and the undersigned does hereby agree to indemnify and hold BPOE harmless from any and all claims, loss or damage to the BPOE resulting from or related to applicant's said participation. I have read, understood, and followed the rules of the "Soccer Shoot" contest.

 (Signature of applicant) _____ Signature of Parent (Mother)

OR _____ (Father)

NOTE: ALL entrants are requested to contact their school principal or coach to determine if any restrictions or eligibility requirements exist in their state. Signatures verify information supplied on this card is correct.

THIS MUST BE FILLED OUT BY THE RESPECTIVE DESIGNATED PEOPLE AS SHOWN BELOW. PLEASE PRINT.

EXALTED RULER

Name _____

Address _____

City _____ State _____ Zip _____

Telephone (Area) _____

SUBORDINATE LODGE DIRECTOR

Name _____

Address _____

City _____ State _____ Zip _____

Telephone (Area) _____ SCORE _____

Document checked by _____ Date _____ Lodge _____

Age verified by _____ Date _____

DISTRICT DIRECTOR

Name _____

Address _____

City _____ State _____ Zip _____

Telephone (Area) _____ SCORE _____

STATE DIRECTOR

Name _____

Address _____

City _____ State _____ Zip _____

Telephone (Area) _____ SCORE _____



Elks Soccer Shoot®

Competition Form — Boys/Girls



Please let us know who will compete as your representative at the next level.
Complete and return not later than 5 days after your Elks Soccer Shoot® Contest
to the Director of the next level of competition:

This is the information needed to adequately prepare for the next level of competition.

Sponsoring Lodge:	No.:
--------------------------	-------------

(Circle One in Each Category)

GENDER GROUP		NEXT LEVEL OF COMPETITION	
BOYS	GIRLS	District	State

Division U-8	Ages 7 & Under
Name:	Date of Birth:
Address:	Telephone:
City:	State: ZIP:
Parent Name:	
Total Number of Participants and Guests Attending Next Competition	

Division U-10	Ages 8 & 9
Name:	Date of Birth:
Address:	Telephone:
City:	State: ZIP:
Parent Name:	
Total Number of Participants and Guests Attending Next Competition	

Division U-12	Ages 10 & 11
Name:	Date of Birth:
Address:	Telephone:
City:	State: ZIP:
Parent Name:	
Total Number of Participants and Guests Attending Next Competition	

Division U-14	Ages 12 & 13
Name:	Date of Birth:
Address:	Telephone:
City:	State: ZIP:
Parent Name:	
Total Number of Participants and Guests Attending Next Competition	



Elks Soccer Shoot®



Contest Event Report

No later than 5 days after your Elks Soccer Shoot® Contest has taken place, complete this Contest Event Report and two **COMPETITION FORMS** (for **BOY** and **GIRL WINNERS**), and forward to the Director of the next level of competition.

COMPETITION DATE:			
Report for	Lodge	District	State
	<i>(Circle One)</i>		

Lodge:		No.:	
District:			
State:			
Competition Director:		Telephone:	
Address:			
City:		State:	ZIP:
Competition Location:			

Attendance: *This information is vital to the Program's future. Please Report Completely.*

Parents & Family	Additional Spectators		Volunteers		Contestants								
	Elks	Non-Elks	Elks	Non-Elks	U-8		U-10		U-12		U-14		
					Girls	Boys	Girls	Boys	Girls	Boys	Girls	Boys	

Description	Total Expenses	Total Contributions	Total Income	Volunteers	
Competition				Elk volunteer hours	
Advertising/Costs				Non-Elk volunteer hours	
Awards/Prizes/ Certificates				Elk volunteer miles	
				Non-Elk volunteer miles	
Lodging				Attach additional support as required.	
Meals/Snacks, etc.					
Admin.—supplies, copies, postage, etc.					
Miscellaneous					
Total					

Soccer...



It's A Kick!